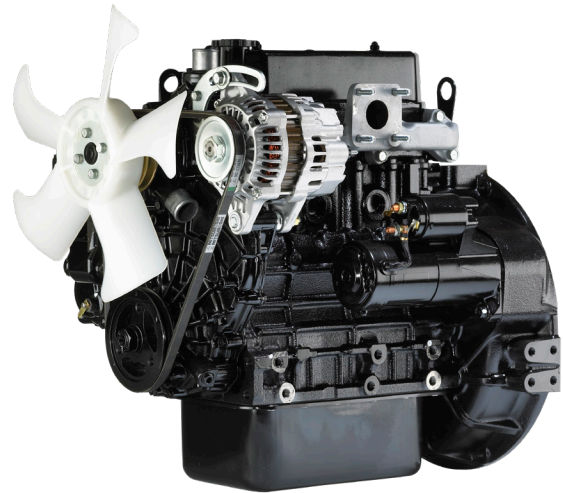


L3E-Z564SPH

15.8 kWm @ 3000 rpm | VARIABLE SPEED

MITSUBISHI DIESEL ENGINE

COMPACT AND RELIABLE



ENGINE DATA

Engine model	L3E-Z564SPH
Engine type	4-stroke, diesel
Cylinder configuration	3 in-line
Bore x stroke (mm)	76 x 70
Total displacement (l)	0.952
Aspiration	natural
Dry weight (kg)	83
Emission	EU Stage V

Cooling system	water-cooled, forced circulation by centrifugal pump with thermostat
Combustion system	indirect injection, swirl chamber type
Fuel injection system	pump-line-nozzle (in-line pump)
Electrical system (V / A)	12 / 40
Starting system (V / kW)	12 / 1.2
Rotation (ISO 1204)	counterclockwise
Flywheel and housing	semi: SAE 6.5" / SAE #5

RATING¹

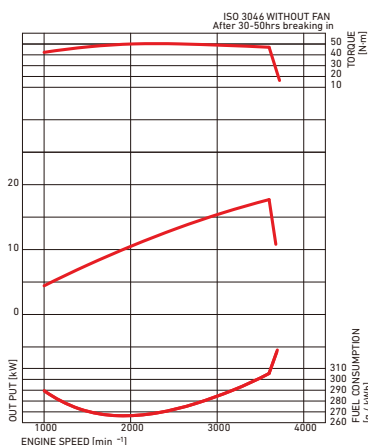
	Gross		Net
	w/o fan		with fan
Output (kWm)	15.8		14.7
Output (bhp)	21.2		19.7
Engine speed (rpm)	3000		

Gross

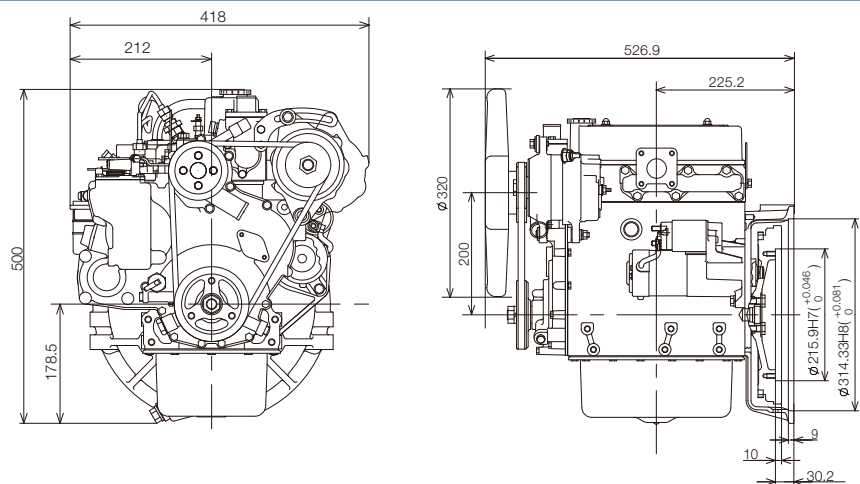
Fuel consumption 100% load (g/kWh) ²	290
Max. torque (Nm)	52
Side gear PTO (Nm)	15.6

¹ Rating definition according ISO3046, rating tolerance ±5% of nominal. ² Fuel consumption is based on ISO3046/1 with ±8% tolerance at 100% rated power.

PERFORMANCE CURVE



DIMENSIONS



More information

Contact your local dealer for more information regarding Mitsubishi Diesel Engines and optional equipment or, visit www.mtee.eu/engines

MOVE THE WORLD FORWARD  **MITSUBISHI
HEAVY
INDUSTRIES
GROUP**