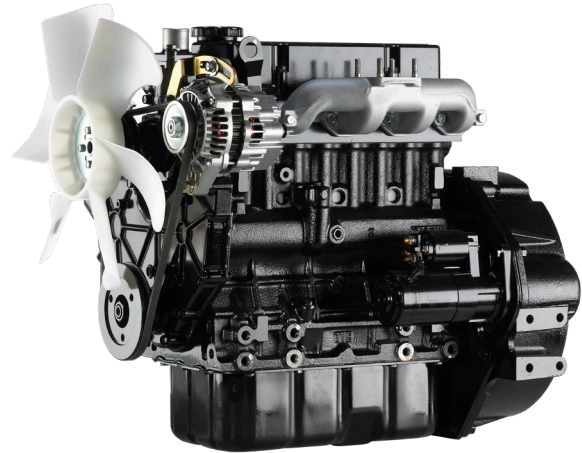


## S4L2-Z363SPH

28.8 kWm @ 3000 rpm | VARIABLE SPEED

# MITSUBISHI DIESEL ENGINE

COMPACT AND RELIABLE



### ENGINE DATA

Engine model	S4L2-Z363SPH
Engine type	4-stroke, diesel
Cylinder configuration	4 in-line
Bore x stroke (mm)	78 x 92
Total displacement (l)	1.758
Aspiration	natural
Dry weight (kg)	155
Emission	EU Stage IIIA

Cooling system	water-cooled, forced circulation by centrifugal pump with thermostat
Combustion system	indirect injection, swirl chamber type
Fuel injection system	pump-line-nozzle (in-line pump)
Electrical system (V / A)	12 / 50
Starting system (V / kW)	12 / 2
Rotation (ISO 1204)	counterclockwise
Flywheel and housing	semi: SAE 7.5" / SAE #5

### RATING<sup>1</sup>

	Gross		Net
	w/o fan		with fan
Output (kWm)	28.8		26.2
Output (bhp)	38.6		35.1
Engine speed (rpm)	3000		

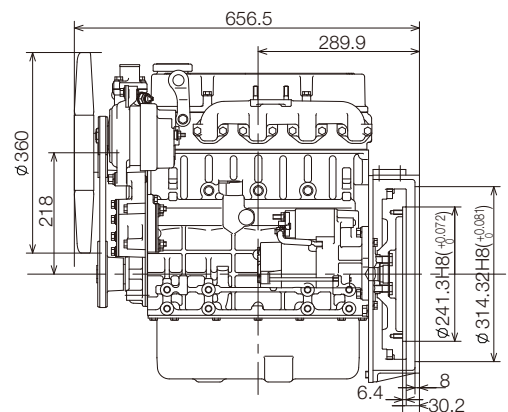
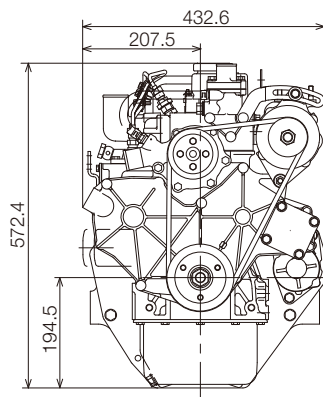
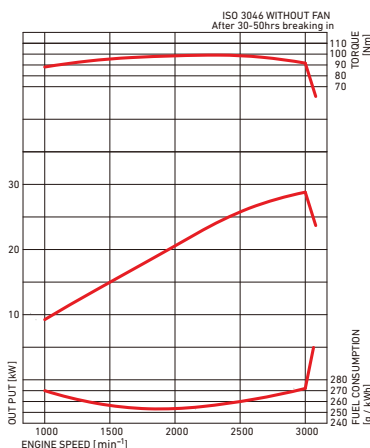
### Gross

Fuel consumption 100% load (g/kWh) <sup>2</sup>	265
Max. torque (Nm)	97
Side gear PTO (Nm)	39.2

<sup>1</sup> Rating definition according ISO3046, rating tolerance ±5% of nominal. <sup>2</sup> Fuel consumption is based on ISO3046/1 with ±8% tolerance at 100% rated power.

### PERFORMANCE CURVE

### DIMENSIONS



#### More information

Contact your local dealer for more information regarding Mitsubishi Diesel Engines and optional equipment or, visit [www.mtee.eu/engines](http://www.mtee.eu/engines)

MOVE THE WORLD FORWARD  **MITSUBISHI  
HEAVY  
INDUSTRIES  
GROUP**